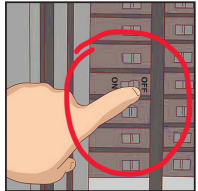


CEILING MEDALLION

SAFETY INSTRUCTIONS: PLEASE REVIEW BEFORE INSTALLING

* Turn off power at the breaker box before beginning installation.....

* Use common sense and follow good construction practices.....



* Make sure to use correct tools and follow the manufacturer's instructions for proper use of all tools and supplies.....



* Wear safety goggles.....



* Medallions are not load bearing. DO NOT use to support electrical fixtures or ceiling fans.....



TOOL & MATERIAL CHECKLIST:

- Construction adhesive
- Elastomeric adhesive caulk
- Caulking gun
- Power drill or screw driver
- Wood or drywall screws
- Extra fine sandpaper
- Putty knife
- Ladder or scaffolding
- Additional person to help

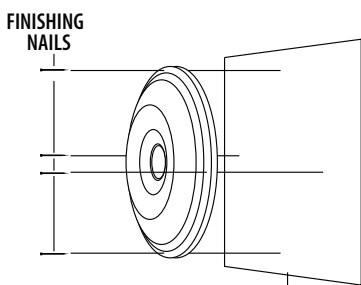
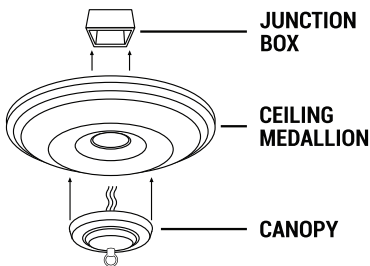
BEFORE INSTALLATION

* Please carefully read and follow all instructions.

* Turn off power at breaker box before beginning installation/removal of existing fixture.

* Depending on size of the medallion you are installing, it may be recommended to have a minimum of 2 people for holding medallion in place

EXAMPLE DIAGRAM:

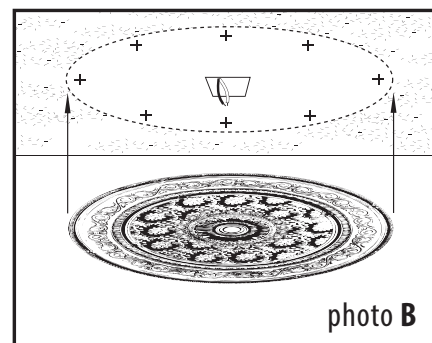
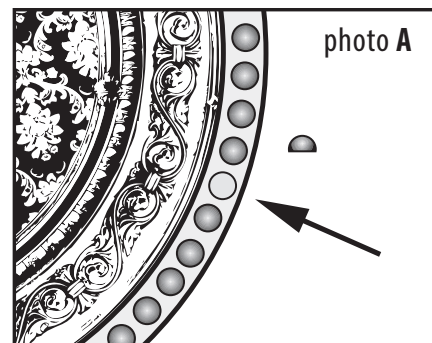


1. Lay medallion face down on a soft surface that will not scratch or dent medallion.

2. Use a 1/4" drill bit to drill mounting holes along the medallions border in spaces provided. (See photo A)

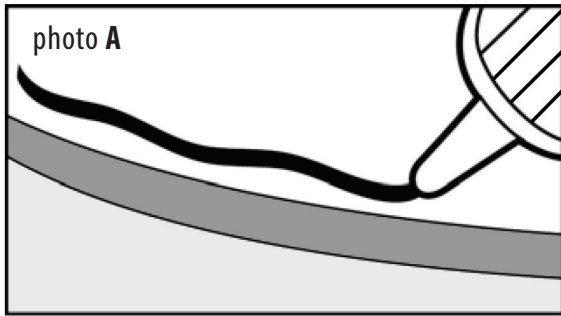
3. Place medallion where it will be installed and lightly outline the shape as well as mark through the mounting hole. (See photo B)

4. Clean installation surface and back of medallion with clean cloth or sponge and allow to dry.

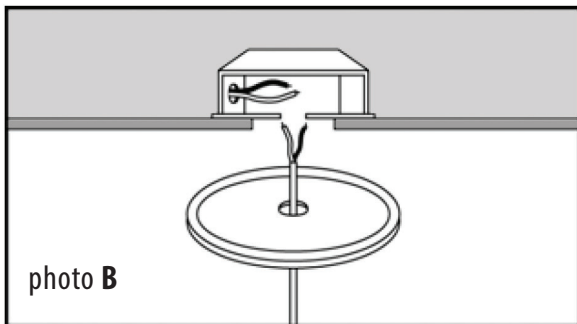


INSTALLATION

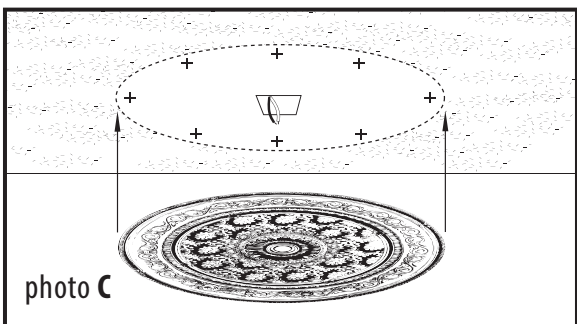
1. Lay medallion facedown on a soft surface and apply 1/2" bead of adhesive caulk generously to the back. (See photo A)



2. Properly position ladder or scaffolding to allow you to safely hold the medallion in place.
3. Begin lifting medallion into place making sure to feed the electrical wiring through the center hole. (See photo B)



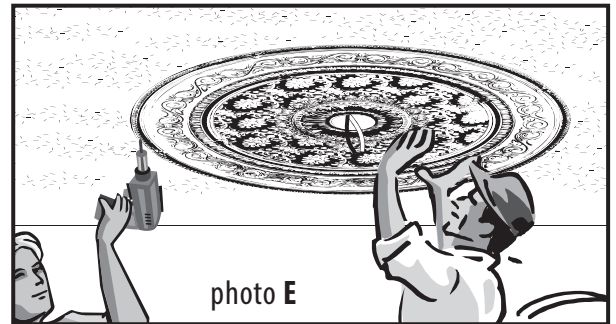
4. Gently press the medallion against the surface and align with markings. (see photo C)



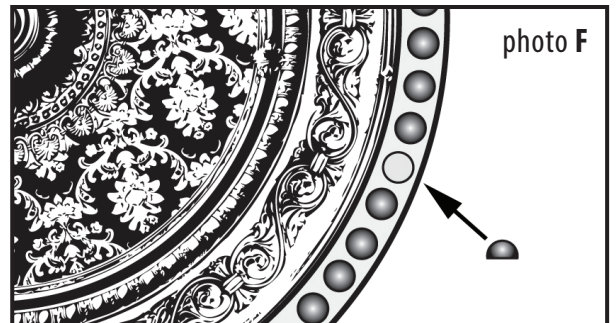
5. Smooth any excess caulk with a putty knife and apply extra caulk as needed to fill gaps. (See photo D)



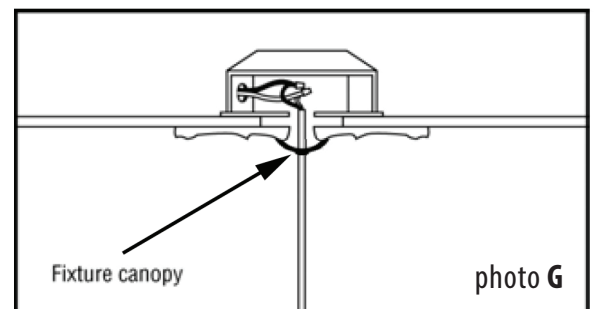
6. All medallions will need to be installed with screws or finishing nails in addition to adhesive (See photo E)



7. Place decorative caps over the mounting holes for finished look. (See photo F)



8. Reconnect existing fixture according to manufacturer's installation instructions.
9. Slide canopy into place and tighten ring snug against medallion.. (See photo G)



10. Touch up medallion as needed.